



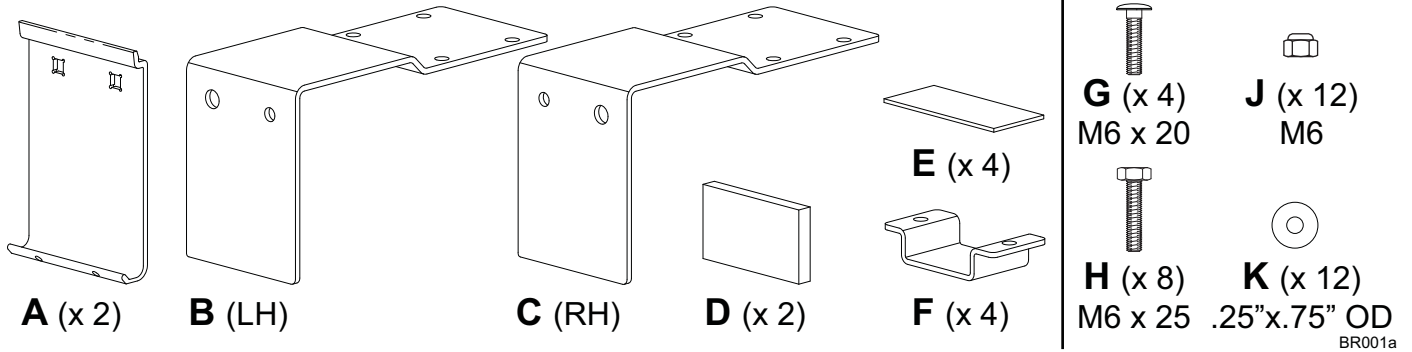
# FREEDOM WM ADAPTOR BRACKETS

Kit No: BX0001

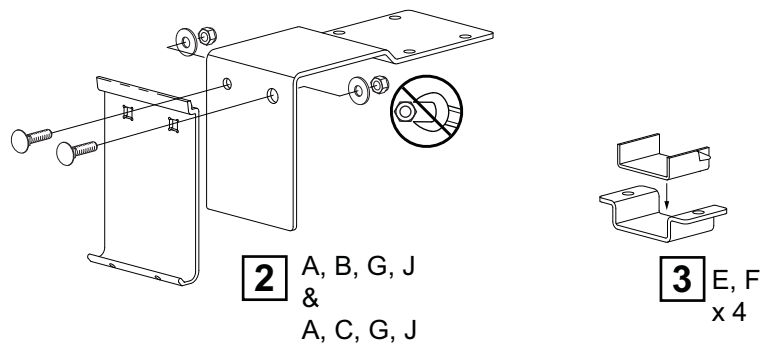
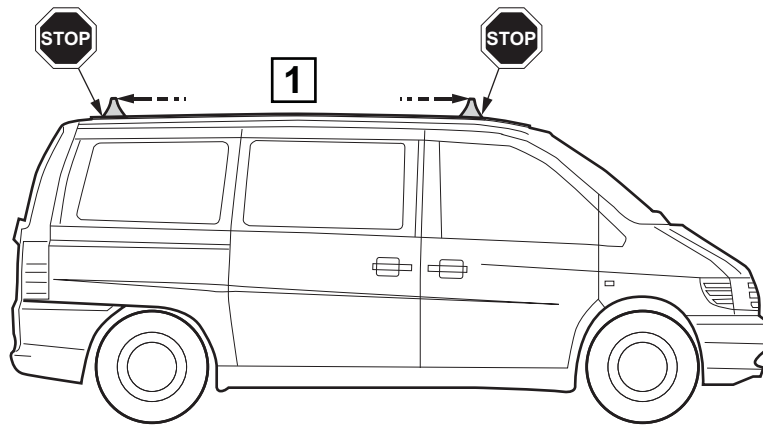
**MERCEDES VITO**

**Kits**

PACKAGE CONTENTS:

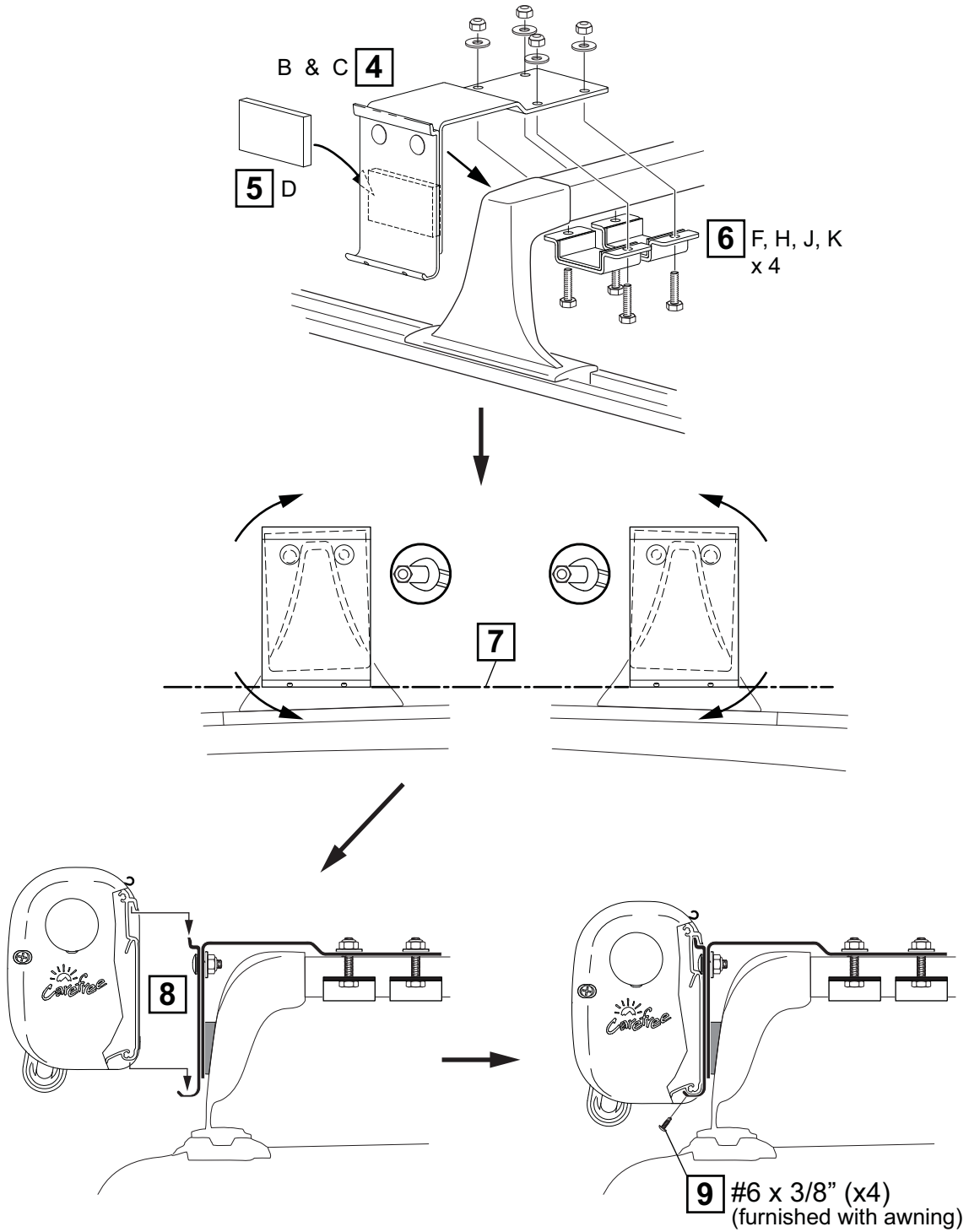


INSTALLATION



BR001

INSTALLATION (CONT)



BR001b